

DESIGN, SIMULATION AND COMPARISON OF PFC BOOST CONVERTER TOPOLOGIES

Mirza Faizan Baig¹, Hitesh Lade²

¹M.Tech Scholar, Surabhi group of Institutions, Bhopal

²Asso. Professor, Surabhi group of Institutions, Bhopal

Abstract: It is a big challenge to maintain a good power factor while working in industrial and domestic applications as well, since most of the loads are inductive which tend to make power factor more lagging. To remedy this situation many solutions are available, out of which boost converters are studied and analyzed in the upcoming work. There are various topologies of the boost converters which improve the power factor. This paper covers phase shifted bridgeless boost converter and interleaved boost converter topologies for the analysis of input power factor and THD.

I. INTRODUCTION

The power factor correction can be carried out by various methods. These methods are mainly classified in two types as:

- i. Passive power factor correction
- ii. Active power factor correction.

Passive power factor correction involves the use of passive elements such as inductors and capacitors as filters for reactive power compensation. This technique suffers from the following drawbacks:

- i. Bulky size of the passive components
- ii. Fixed compensation characteristics
- iii. Series and parallel resonance.

There are many solutions proposed by different scholars such as use of multi-pulse converters, PFC boost converters, Buck converters, Buck-Boost converters etc. The main objective of using these converters is to improve the system power factor as well as to reduce the input current harmonics, as they create distortions in the output voltage waveforms. The power factor correction devices are extensively in use in various power applications as well as in electric drives.

Phase Shifted Bridgeless Boost Converter: The phase shifted semi bridgeless topology shown in fig.1 is proposed as a solution to address the problems associated with the conventional boost and bridgeless boost topologies. This topology features high efficiency

at light loads and low line, which is critical to minimize the charger size, charging time and the amount and cost of electricity drawn from the utility; the component count, which reduces the charger cost; and reduces EMI.

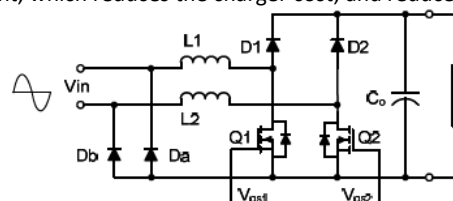


Fig.1 Phase shifted bridgeless boost converter

Interleaved Boost Converter: The interleaved boost converter is shown in fig.2. It is simply combination of two boost converters operating in parallel 180° out of phase. The input current is the sum of the two inductor currents. Because the inductor ripple currents are out of phase they tend to cancel each other and reduce the input ripple current caused by the boost switching action.

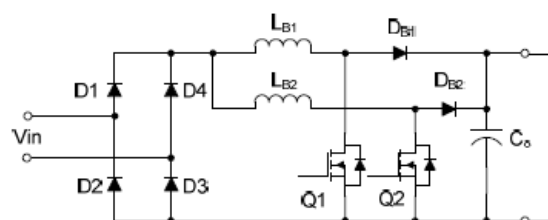


Fig.2. Rectifier + Interleaved boost converter topology

Furthermore, by switching 180° out of phase, it doubles the effective switching frequency and introduces smaller input current ripple.

Performance Parameters: The performance of the boost converter topologies are analyzed on the basis of the following performance parameters:

- i. Total Harmonic Distortions: The THD is a measurement of harmonic distortions present

in the current or voltage waveforms. The THD can be easily found out by using the FFT analysis tool of the MATLAB

- ii. Distortion factor or purity factor K_p :
Mathematically distortion factor is represented as:

$$K_p = \frac{1}{\sqrt{1 + THD^2}}$$

- iii. Displacement factor K_d :
It is defined as the cosine of the angle between the voltage and current.
- iv. Power Factor: power factor can be found out using active and reactive power by the following relation:

$$P.F. = \frac{\text{Active_Power}}{\text{Apparent_Power}}$$

But this relation does not apply to all the circuits. When there is some THD present, power factor cannot be found out using this relation. Hence another relation which takes into consideration the THD as well should be used. This relation is as follows:

$$P.F. = K_p \times K_d$$

II. DESIGN CONSIDERATIONS

The first circuit which has to be designed is the bridge rectifier circuit. The rectifier circuit under consideration has the following parameters:

- Input AC Voltage = 230V
- Rectifier Type: Bridge rectifier
- Internal resistance of diodes = 0.001Ω
- Diode snubber resistance = 500Ω
- Diode snubber capacitance = 250×10^{-9} F
- Filter capacitance C_{in} = 2000μ F
- Load resistance R_L = 100Ω

Next we have to design a boost converter. The taken parameters are as follows:

- Input dc voltage from rectifier = 317V
- Boost Inductance = 87.12mH
- Boost Capacitance = 12mF
- Chopper Frequency = 500Hz
- Duty Cycle = 30%
- Load Resistance = 100Ω
- MOSFET Snubber Resistance = $10^5\Omega$
- MOSFET Snubber Capacitance = Infinite
- MOSFET Internal Resistance = 0.1Ω

III. SIMULATION AND RESULTS

To analyze the said topologies on the basis of performance parameters it has to be firstly simulated using MATLAB and then its performance parameters (such as THD and PF) are analyzed with the help of MATLAB itself.

Phase Shifted Bridgeless Boost Converter

Keeping the design parameters as described in the previous section the phase shifted bridgeless boost converter has been modeled and simulated. The simulation results are analyzed to reach to a conclusion. The figure below shows the schematic of a phase shifted bridgeless boost converter circuit.

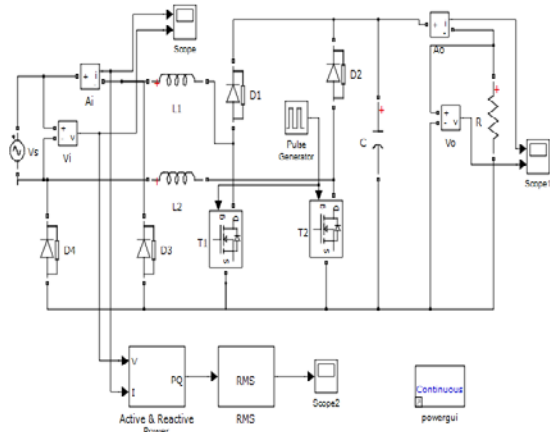


Fig.3. Schematic of phase shifted bridgeless boost converter

As analyzed with the help of the scope applied in the schematic the simulated model gives the following waveforms of voltages and currents on scope (for source) and scope1 (for load).

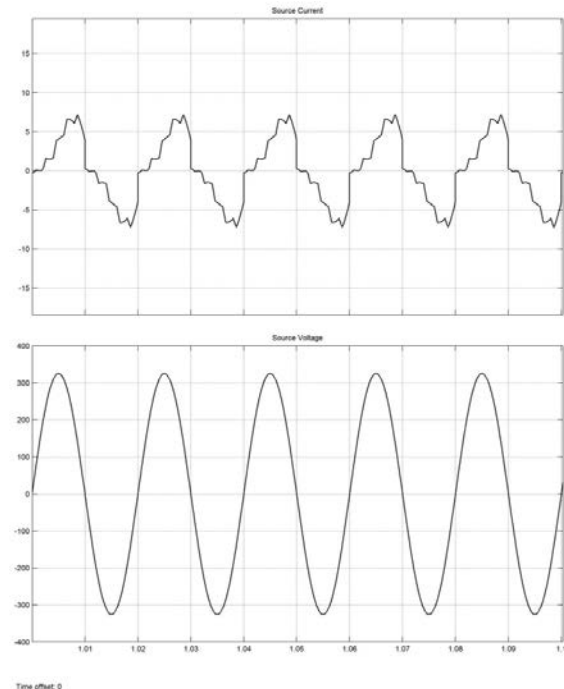


Fig.4. Source current and voltage waveforms for phase shifted bridgeless boost converter

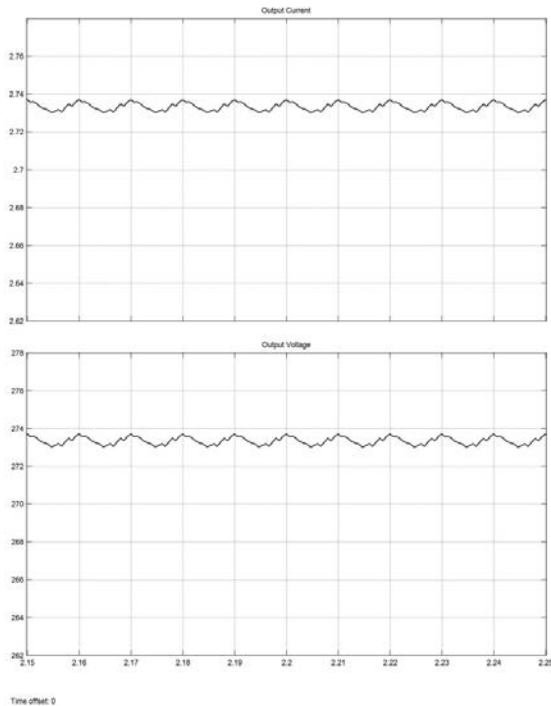


Fig.5. Load current and voltage waveforms for phase shifted bridgeless boost converter

As can be seen in fig.4 that a distorted current is drawn from the supply in case of phase shifted bridgeless boost converter which will produce less THD as compared to pulsating current and hence will improve the THD of the input current waveform further upgrading the performance of the circuit. The THD can be found out with the help of FFT analysis tool.

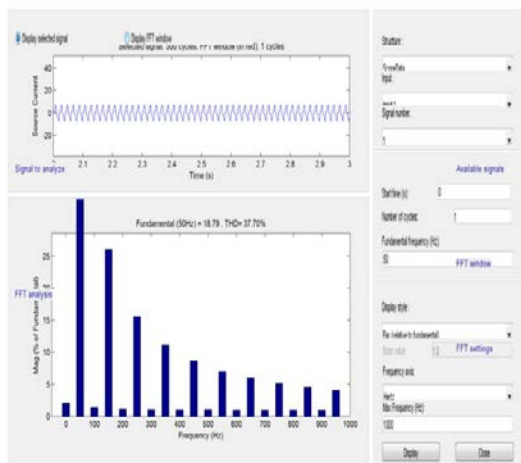


Fig.6. FFT analysis of phase shifted bridgeless boost converter

It can be seen in the above figure that the THD of the phase shifted bridgeless boost converter is 37% and

power factor of the circuit has been calculated as below:

$$K_d = 0.81$$

The THD is found out to be 37.7%

$$K_p = \frac{1}{\sqrt{1 + THD^2}}$$

$$K_p = \frac{1}{\sqrt{1 + 0.377^2}}$$

$$K_p = \frac{1}{1.069}$$

$$K_p = 0.935$$

Since,

$$P.F. = K_p \times K_d$$

Therefore,

$$PF = 0.935 \times 0.81$$

$$PF = 0.757 \text{ (lagging)}$$

Rectifier + Interleaved boost converter:

The interleaved boost converter is a combination of two boost converters operating in parallel to each other and the load resistance. The simulation results are analyzed to reach to a conclusion. The figure below shows the schematic of a rectifier + interleaved boost converter circuit.

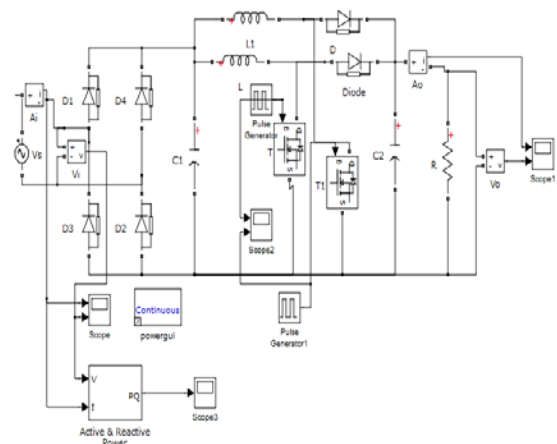


Fig.3. Schematic of rectifier + interleaved boost converter

The simulated model of interleaved boost converter gives the following waveforms of voltages and currents on scope (for source) and scope1 (for load).

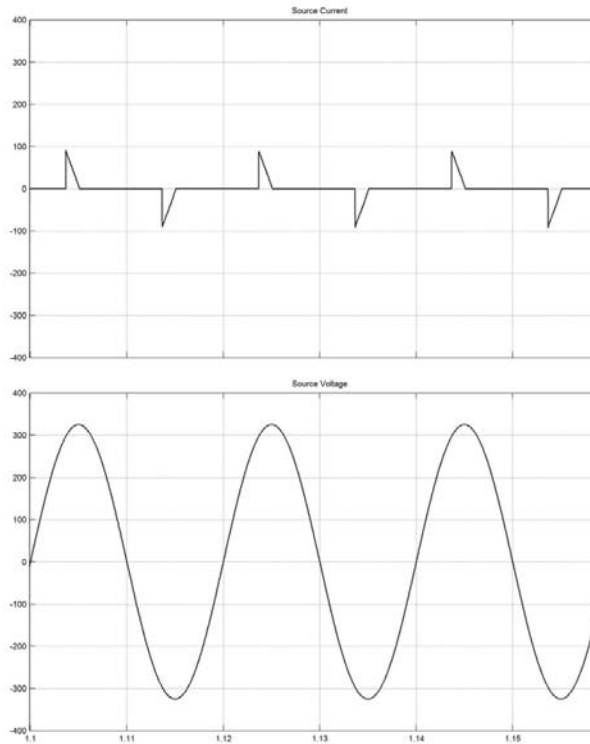


Fig.4. Source current and voltage waveforms for conventional boost converter

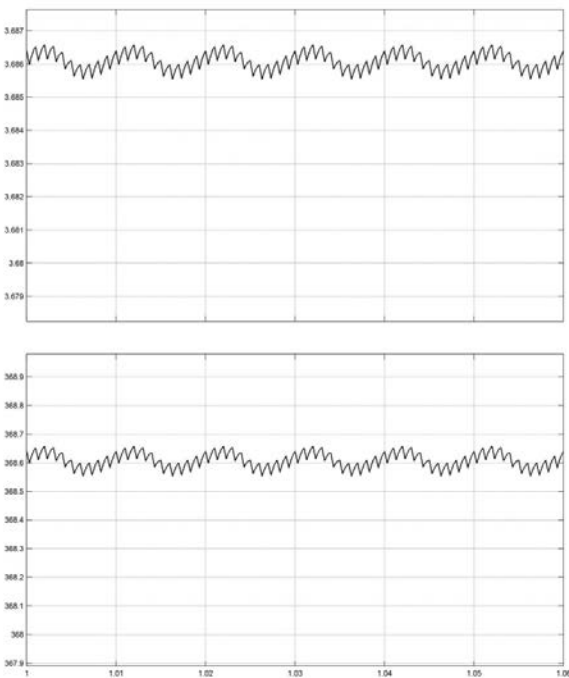


Fig.5. Load current and voltage waveforms for conventional boost converter

The THD can be found out with the help of FFT analysis tool.

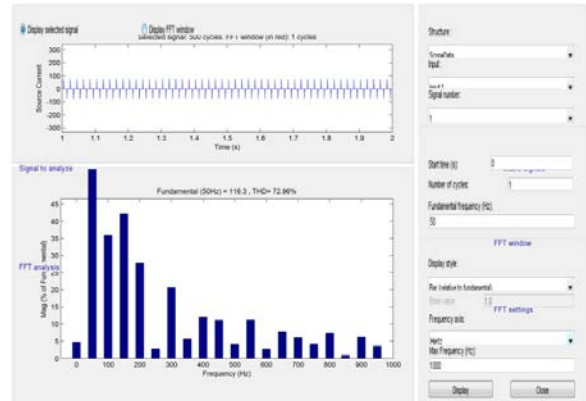


Fig.6. FFT analysis of conventional boost converter

It can be seen in the above figure that the THD of the rectifier + interleaved boost converter is 72.9% and power factor of the circuit has been calculated as below:

$$K_d = 0.94$$

The THD is found out to be 72.9%

$$THD = 72.9\% = 0.73 \text{ pu}$$

$$K_p = \frac{1}{\sqrt{1+THD^2}}$$

$$K_p = \frac{1}{\sqrt{1+0.73^2}}$$

$$K_p = \frac{1}{1.238}$$

$$K_p = 0.808$$

Since,

$$P.F. = K_p \times K_d$$

Therefore,

$$PF = 0.808 \times 0.94$$

$$PF = 0.7595$$

The following table shows the comparison between the two topologies.

Parameter	THD	K_d	K_p	PF
Topology				
Phase Shifted	37%	0.81	0.935	0.757 (lagging)

Bridgeless Boost Converter				
Rectifier + Interleaved Boost Converter	72.9%	0.94	0.808	0.7595 (leading)

Table.1. Comparison of parameters

IV. CONCLUSION

A close examination of the above described performance characteristics and the table 1 reveals that the THD provided by the bridgeless boost converter topology (37%) is better than that of the interleaved boost converter (73%). Whereas the input power factor for interleaved boost converter is far better as compared to that of a bridgeless boost converter. Moreover the THD of an interleaved boost converter can be improved by increasing the no of parallel converters.

REFERENCES

- [1] Comparative study of active power factor correction in AC-DC converters, authored by Abhinaya Venkatesan, Aiswarya Mohan, Gayathri. K, R. Seyezhai, International Journal of Electrical, Electronics and Data Communication, ISSN (PRINT): 2320-2084, Volume – 1, Issue – 1, 2013
- [2] simulation of closed loop controlled bridgeless PFC boost converter, authored by M.Gopinath and S.Ramareddy
- [3] Fuzzy controlled parallel AC-DC converter for PFC, authored by Subbarao.M, Sai Babu.Ch, Satyanarayana.S, Sobhan.P.V.S. National Conference on advances in

electrical and electronics engineering Vol: 9, Number: 2, June 2011.

[4] Closed loop control methods for interleaved DCM/CCM boundary boost converters, authored by, Laszlo Huber, Brian T. Irving, and Milan M. Jovanović[4], 978-1-422-2812-0/09/\$25.00 ©2009 IEEE

[5] Single phase three level boost power factor correction converter, authored by, Michael T. Zhang, Yimin Jiang, Fred C. Lee, Milan M. Jovanovic. 0-7803-2482-X/95 \$4.00 © 1995 IEEE.

[6] Inductive idling boost converter with low inductor current ripple and improved dynamic response for power factor correction, authored by, Fei Zhang, Jianping Xu, Haikun Yu, and Guohua Zhou. 978-1-4244-5287-3/10/\$26.00 ©2010 IEEE

[7] Interleaved boost flyback converter with boundary conduction mode for power factor correction, authored by, Bor-Ren Lin, Chia-Hung Chao and Chih-Cheng Chien. 978-1-4244-8756-1/11/\$26.00_c 2011 IEEE

[8] A dual mode controller for the boost PFC converter, authored by, Jian-Min Wang, Sen-Tung Wu, Yanfeng Jiang, and Huang-Jen Chiu. IEEE TRANSACTIONS ON INDUSTRIAL ELECTRONICS, VOL. 58, NO. 1, JANUARY 2011

[9] Open loop control methods for interleaved boundary boost PFC converters, authored by, Laszlo Huber, Brian T. Irving, and Milan M. Jovanovic'. IEEE TRANSACTIONS ON POWER ELECTRONICS, VOL. 23, NO. 4, JULY 2008 16